

PRODUCT DATA SHEET – WK-FM

Section 1. PRODUCT DESCRIPTION

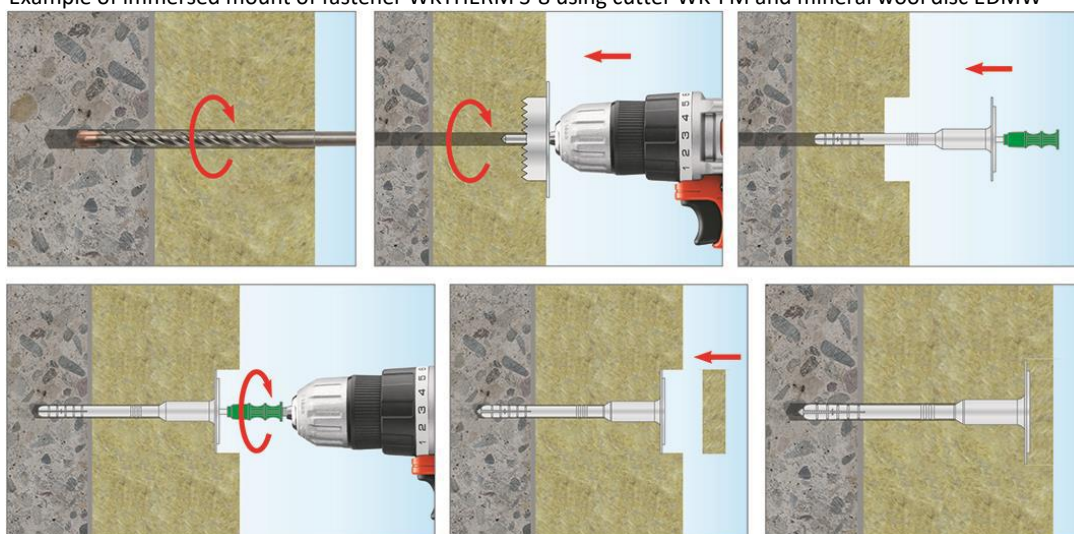
METAL CUTTER FOR MINERAL WOOL – WK-FM

Metal cutter for mineral wool WK-FM for cutting holes for insertion of mineral wool disc EDMW in immersed mount of fasteners. The cutter has a flange collar to ensure a controlled cutting depth of 2 cm. Installation of fasteners using cutter WK-FM and mineral wool discs EDMW minimizes spot thermal conductivity of fasteners and makes preparation of surface for final finishing of the façade much easier and faster.

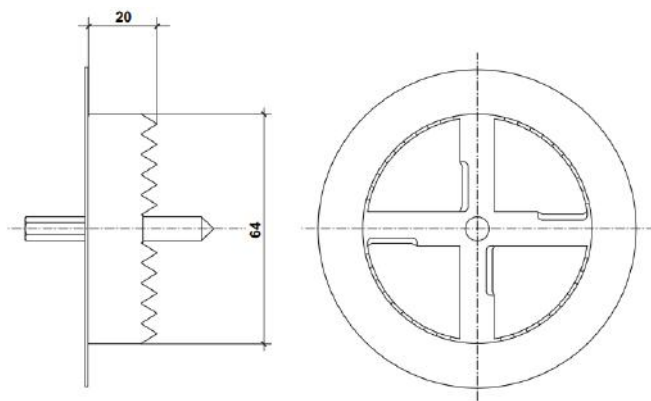


Section 2. EXAMPLE INSTALLATION

Example of immersed mount of fastener WK THERM S-8 using cutter WK-FM and mineral wool disc EDMW



Section 3. TECHNICAL DATA



| TECHNICAL PARAMETERS | | | |
|----------------------|----------|-----------------------|---------------------------|
| Product code | Diameter | Maximum cutting depth | Number of pieces in a box |
| | [mm] | [mm] | [pcs.] |
| WK-FM | 64 | 20 | 1 |

Section 4. REMARKS

1. All previous versions of this Product Data Sheet shall cease to be valid
2. Data given in this Product Data Sheet is in accordance with current knowledge and published in good faith. KLIMAS Sp. z o.o. is not responsible for correctness and quality of the fixing if recommendations regarding method of use and installation are not followed.